

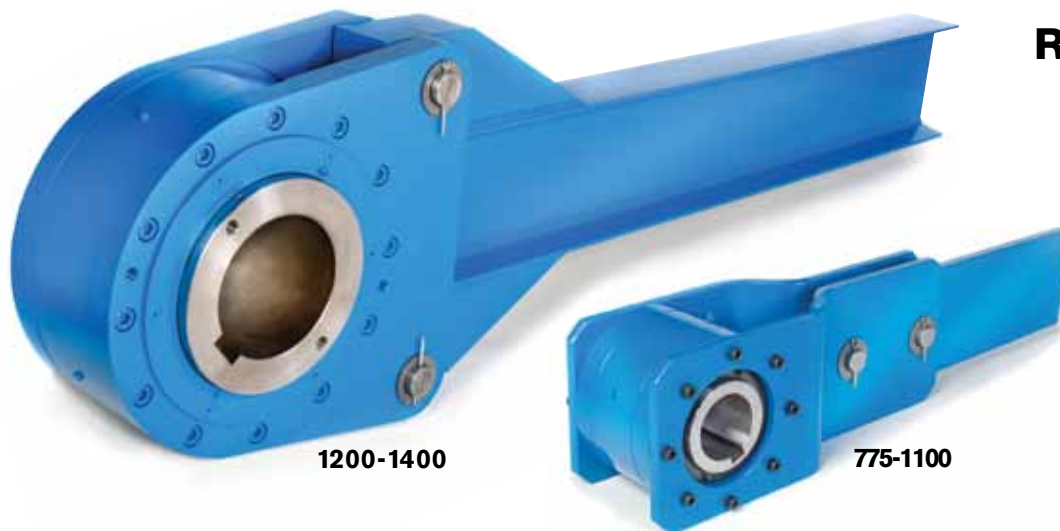


**RINGSPANN®
CORPORATION**

FRH Series

Low-speed Backstops

RINGSPANN LOW SPEED BACKSTOPS



**Replaces
Many Brands**

**Competitively
Priced**

**Quick
Delivery**

Features:

- 11 inch bore Capacity
- Taconite Seals
- Axial Retention
- 150,000 lb.-ft. Torque Capacity
- Quick-Release Torque Arm
- Visual Oil Gage

Backstop Interchange Guide

Manufacturer	RINGSPANN	Formsprag	Marland	Falk	Morse®	Tsubaki	Stephens Adamson
Size Max. Bore (inch) Torque Rating (lb-ft)	FRH 775 3.75 10000	LLH 750 3.44 6800	BC-6MA 3.69 6000	1075 NRT 3.94 10000	CB 7 4 6500	BS 110 4.33 7966	HD 315 3.94 6666
Size Max. Bore (inch) Torque Rating (lb-ft)	FRH 800 4.5 13000	LLH 800 4.44 11500	BC-12MA 4.5 12000	1075 NRT 3.94 10000	CB 12 5.25 12000	BS 135 5.31 11580	HD 415 4.94 11667
Size Max. Bore (inch) Torque Rating (lb-ft)	FRH 900 5.44 18000	LLH 900 5.44 18000	BC-18MA 5.44 18000	1085 NRT 5.19 16000	CB 19 6.25 19000	BS 160 6.3 18071	HD 600 6 20833
Size Max. Bore (inch) Torque Rating (lb-ft)	FRH 1000 7 28000	LLH 1027 7 27000	BC-27MA 6.5 27000	1095 NRT 5.5 28000	CB 30 7.75 30000	BS 200 7.87 27439	HD 700 7 27083
Size Max. Bore (inch) Torque Rating (lb-ft)	FRH 1100 7 45000	LLH 1051 7 45000	BC-45MA 7 45000	1105 NRT 7.44 45000	CB 45 8.5 45000	BS 220 8.66 36142	HD 800 8 45833
Size Max. Bore (inch) Torque Rating (lb-ft)	FRH 1200 9 75000	LLH 1250 9 65000	BC-63MA 8 63000	1115 NRT 8.44 75000	CB 65 9.5 65000	BS 250 9.84 65056	HD 900 9 66667
Size Max. Bore (inch) Torque Rating (lb-ft)	FRH 1300 10 110000	LLH 1300 10 90000	BC-90MA 9 90000	1125 NRT 9 105000	- - -	BS 270 10.63 90725	HD 1000 10 92500
Size Max. Bore (inch) Torque Rating (lb-ft)	FRH 1400 11 150000	LLH 1375 11 135000	BC-135MA 10 135000	1135 NRT 10.5 150000	CB 150 11.5 150000	BS 300 11.81 129818	HD 1200 12 145833

Note: The above is a functional interchange reference, please verify dimensional interchange details.



RINGSPANN® CORPORATION

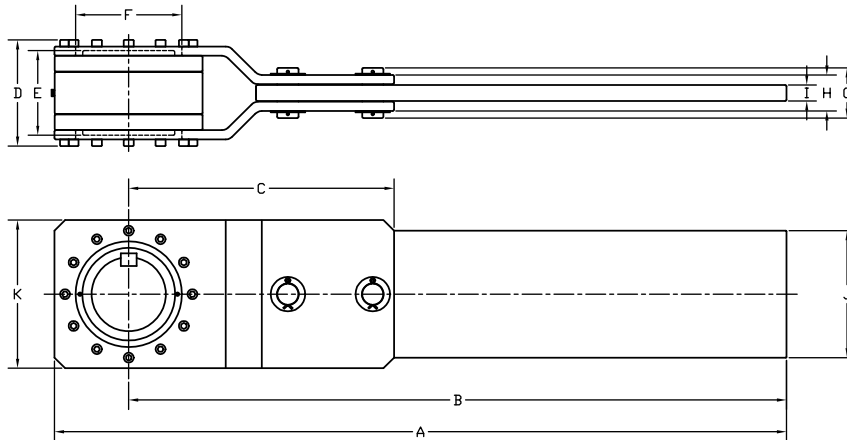
FRH Series Low-Speed Backstops

Dimensional Data

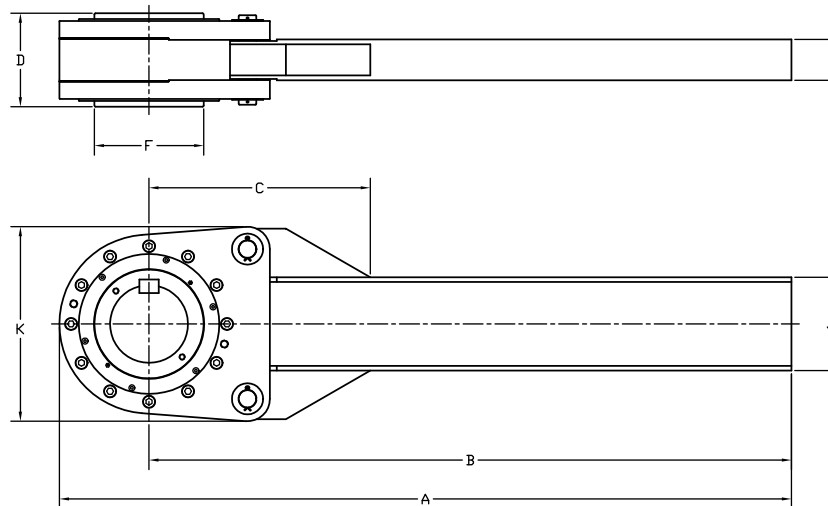
FRH Size	Torque (LB-FT)	Max Bore (Inch)	Max Speed (RPM)	L-Load (LBS)	A (Inch)	B (Inch)	C (Inch)	D (Inch)	E (Inch)	F (Inch)	G (Inch)	H (Inch)	I (Inch)	J (Inch)	K (Inch)
775	10000	3.75	500	3160	42.875	38	20.38	9	7.5	6	4	2.625	1	8	9.75
800	13000	4.5	400	4105	43.25	38	22.13	9.5	8	7	4	2.625	1	10	10.5
900	18000	5.44	350	4500	54	48	22.75	9.38	7.63	8	4.5	3.125	1.5	10	12
1000	28000	7	300	5420	69	62	25	10	8	10	4.75	3.375	1.5	12	14
1100	45000	7	200	7500	79	72	29	12.5	10.5	10	4.75	3.375	1.5	12	14
1200	75000	9	200	11540	88	78	27.75	11	-	12	-	-	4.94	10	23
1300	110000	10	150	16030	93.88	82.38	28.38	12	-	14	-	-	5.25	12	25
1400	150000	11	130	20140	101.88	89.38	29.38	13	-	16	-	-	5.5	15	27.25

Customer Torque Arm Support Bracket must be sufficient to support "L-LOAD"

Ringspann FRH Size 775-1100 Backstops



Ringspann FRH Size 1200-1400 Backstops



©Morse is a registered trademark of Borg Warner