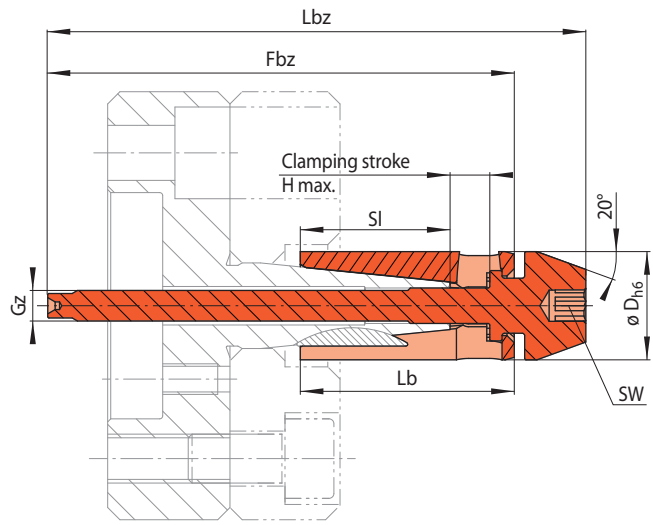


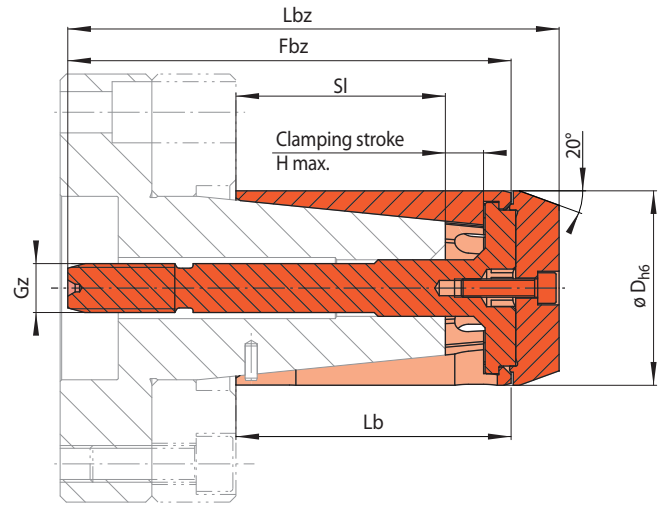
# Clamping Elements Taper Collets with pre-centring BVD **RINGSPANN®**

for setup of Taper Collet Flange Mandrels BKDF  
to different clamping diameters within a given size



Sizes BVD 6 and BVD 7

38-1



Sizes BVD 12 to BVD 54

38-2

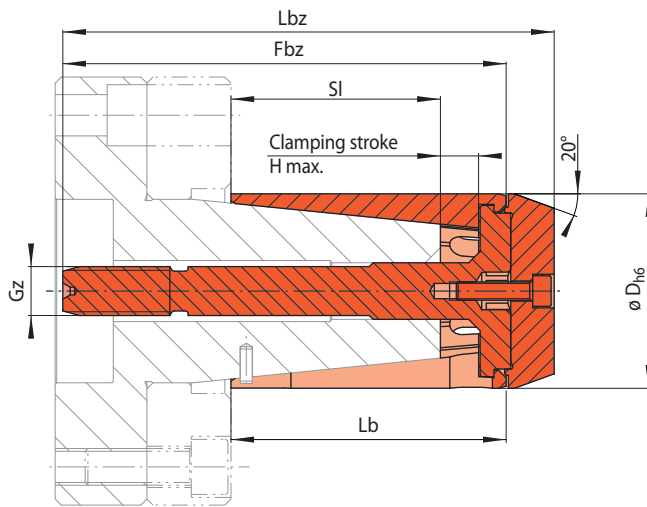
Size BVD ...	Clamping range <sup>1)</sup>	Max. transmissible torque*	Max. actuating force*	Tightening torque for hand clamping*	Fbz	Gz	H max.	Lb	Lbz	SI	SW	Art.-No.
6**	11,90 - 12,50	11	5000	5	61,3	M 5	4,1	23	70,5	14,9	5	006400-011.90
	12,40 - 13,00	11	5000	5	61,3	M 5	4,1	23	70,5	14,9	5	006400-012.40
	12,90 - 13,50	11	5000	5	61,3	M 5	4,1	23	70,5	14,9	5	006400-012.90
	13,40 - 14,00	11	5000	5	61,3	M 5	4,1	23	70,5	14,9	5	006400-013.40
	13,90 - 14,50	11	5000	5	61,3	M 5	4,1	23	70,5	14,9	5	006400-013.90
7	14,40 - 15,00	11	5000	5	61,3	M 5	4,1	23	70,5	14,9	5	006400-014.40
	14,70 - 15,90	13	5000	5	76,3	M 5	6,9	35	88,0	24,1	5	007400-014.70
	15,70 - 16,90	13	5000	5	76,3	M 5	6,9	35	88,0	24,1	5	007400-015.70
	16,70 - 17,90	13	5000	5	76,3	M 5	6,9	35	88,0	24,1	5	007400-016.70
	17,70 - 18,90	13	5000	5	76,3	M 5	6,9	35	88,0	24,1	5	007400-017.70
12	18,70 - 19,90	13	5000	5	76,3	M 5	6,9	35	88,0	24,1	5	007400-018.70
	19,70 - 20,90	13	5000	5	76,3	M 5	6,9	35	88,0	24,1	5	007400-019.70
	20,70 - 21,90	44	12000	Power actuating only	88,8	M 8	6,95	45	99,5	33,55	-	012400-020.70
	21,70 - 22,90	44	12000		88,8	M 8	6,95	45	99,5	33,55	-	012400-021.70
	22,70 - 23,90	44	12000		88,8	M 8	6,95	45	99,5	33,55	-	012400-022.70
	23,70 - 24,90	44	12000		88,8	M 8	6,95	45	99,5	33,55	-	012400-023.70
	24,70 - 25,90	44	12000		88,8	M 8	6,95	45	99,5	33,55	-	012400-024.70
25,70 - 26,90	44	12000	88,8		M 8	6,95	45	99,5	33,55	-	012400-025.70	
26,70 - 27,90	44	12000	88,8		M 8	6,95	45	99,5	33,55	-	012400-026.70	
18	27,70 - 28,90	58	12000	87,9	M 8	7,0	45	98,6	33,5	-	018400-027.70	
	28,70 - 29,90	58	12000	87,9	M 8	7,0	45	98,6	33,5	-	018400-028.70	
	29,70 - 30,90	58	12000	87,9	M 8	7,0	45	98,6	33,5	-	018400-029.70	
	30,60 - 31,80	58	12000	87,9	M 8	7,0	45	98,6	33,5	-	018400-030.60	
	31,60 - 32,80	58	12000	87,9	M 8	7,0	45	98,6	33,5	-	018400-031.60	
19	32,60 - 33,80	114	20000	116,3	M 12	7,0	65	127	52,0	-	019400-032.60	
	33,60 - 34,80	114	20000	116,3	M 12	7,0	65	127	52,0	-	019400-033.60	
	34,60 - 35,80	114	20000	116,3	M 12	7,0	65	127	52,0	-	019400-034.60	
	35,60 - 36,80	114	20000	116,3	M 12	7,0	65	127	52,0	-	019400-035.60	
	36,60 - 37,80	114	20000	116,3	M 12	7,0	65	127	52,0	-	019400-036.60	
	37,60 - 38,80	114	20000	116,3	M 12	7,0	65	127	52,0	-	019400-037.60	
	38,60 - 39,80	114	20000	116,3	M 12	7,0	65	127	52,0	-	019400-038.60	
	39,60 - 40,80	114	20000	116,3	M 12	7,0	65	127	52,0	-	019400-039.60	
	40,60 - 41,80	114	20000	116,3	M 12	7,0	65	127	52,0	-	019400-040.60	
	41,60 - 42,80	114	20000	116,3	M 12	7,0	65	127	52,0	-	019400-041.60	
27	42,60 - 43,80	147	20000	116,3	M 12	7,0	65	132	52,0	-	027400-042.60	
	43,60 - 44,80	147	20000	116,3	M 12	7,0	65	132	52,0	-	027400-043.60	
	44,60 - 45,80	147	20000	116,3	M 12	7,0	65	132	52,0	-	027400-044.60	
	45,60 - 46,80	147	20000	116,3	M 12	7,0	65	132	52,0	-	027400-045.60	
	46,60 - 47,80	147	20000	116,3	M 12	7,0	65	132	52,0	-	027400-046.60	
	47,60 - 48,80	147	20000	116,3	M 12	7,0	65	132	52,0	-	027400-047.60	
	48,60 - 49,80	147	20000	116,3	M 12	7,0	65	132	52,0	-	027400-048.60	
	49,60 - 50,80	147	20000	116,3	M 12	7,0	65	132	52,0	-	027400-049.60	
	50,60 - 51,80	147	20000	116,3	M 12	7,0	65	132	52,0	-	027400-050.60	

\* for clamping with pull-back action. \*\* Size BKD 6 without guidance

<sup>1)</sup> Other clamping ranges available on short notice by request

# Clamping Elements Taper Collets with pre-centring BVD **RINGSPANN®**

for setup of Taper Collet Flange Mandrels BKDF  
to different clamping diameters within a given size



Sizes BVD 12 to BVD 54

39-1

## Example for ordering

Please indicate the size of the Clamping Element and the clamping range of the requested Taper Collet, in your order:

Size: BVD 32  
Clamping range: 55,60 - 58,00 mm  
➔ BVD 32-55,60-58,00

Size BVD ...	Clamping range <sup>1)</sup>	Max. transmissible torque* M Nm	Max. actuating force* F N	Fbz mm	Gz	H max. mm	Lb mm	Lbz mm	Sl mm	Art.-No. 3198-
	D mm									
32	51,60 – 54,00	273	30000	145	M 16	13,0	90	160,7	68,5	032400-051.60
	53,60 – 56,00	273	30000	145	M 16	13,0	90	160,7	68,5	032400-053.60
	55,60 – 58,00	273	30000	145	M 16	13,0	90	160,7	68,5	032400-055.60
	57,60 – 60,00	273	30000	145	M 16	13,0	90	160,7	68,5	032400-057.60
	59,60 – 62,00	273	30000	145	M 16	13,0	90	160,7	68,5	032400-059.60
	61,60 – 64,00	273	30000	145	M 16	13,0	90	160,7	68,5	032400-061.60
43	63,60 – 66,00	333	30000	145	M 16	13,0	90	160,7	68,5	043400-063.60
	65,60 – 68,00	333	30000	145	M 16	13,0	90	160,7	68,5	043400-065.60
	67,60 – 70,00	333	30000	145	M 16	13,0	90	160,7	68,5	043400-067.60
	69,60 – 72,00	333	30000	145	M 16	13,0	90	160,7	68,5	043400-069.60
44	71,60 – 74,00	373	30000	175	M 16	13,0	120	190,7	98,5	044400-071.60
	73,60 – 76,00	373	30000	175	M 16	13,0	120	190,7	98,5	044400-073.60
	75,60 – 78,00	373	30000	175	M 16	13,0	120	190,7	98,5	044400-075.60
	77,60 – 80,00	373	30000	175	M 16	13,0	120	190,7	98,5	044400-077.60
	79,60 – 82,00	373	30000	175	M 16	13,0	120	190,7	98,5	044400-079.60
54	81,60 – 84,00	424	30000	175	M 16	13,05	120	195,6	98,45	054400-081.60
	83,60 – 86,00	424	30000	175	M 16	13,05	120	195,6	98,45	054400-083.60
	85,60 – 88,00	424	30000	175	M 16	13,05	120	195,6	98,45	054400-085.60
	87,60 – 90,00	424	30000	175	M 16	13,05	120	195,6	98,45	054400-087.60
	89,60 – 92,00	424	30000	175	M 16	13,05	120	195,6	98,45	054400-089.60
	91,60 – 94,00	424	30000	175	M 16	13,05	120	195,6	98,45	054400-091.60
	93,60 – 96,00	424	30000	175	M 16	13,05	120	195,6	98,45	054400-093.60
	95,60 – 98,00	424	30000	175	M 16	13,05	120	195,6	98,45	054400-095.60
	97,60 – 100,00	424	30000	175	M 16	13,05	120	195,6	98,45	054400-097.60
	99,60 – 102,00	424	30000	175	M 16	13,05	120	195,6	98,45	054400-099.60
	101,60 – 104,00	424	30000	175	M 16	13,05	120	195,6	98,45	054401-101.60
	103,60 – 106,00	424	30000	175	M 16	13,05	120	195,6	98,45	054401-103.60
	105,60 – 108,00	424	30000	175	M 16	13,05	120	195,6	98,45	054401-105.60
	107,60 – 110,00	424	30000	175	M 16	13,05	120	195,6	98,45	054401-107.60
	109,60 – 112,00	424	30000	175	M 16	13,05	120	195,6	98,45	054401-109.60
	111,60 – 114,00	424	30000	175	M 16	13,05	120	195,6	98,45	054402-111.60
	113,60 – 116,00	424	30000	175	M 16	13,05	120	195,6	98,45	054402-113.60
	115,60 – 118,00	424	30000	175	M 16	13,05	120	195,6	98,45	054402-115.60
	117,60 – 120,00	424	30000	175	M 16	13,05	120	195,6	98,45	054402-117.60
	119,60 – 122,00	424	30000	175	M 16	13,05	120	195,6	98,45	054402-119.60
121,60 – 124,00	424	30000	175	M 16	13,05	120	195,6	98,45	054403-121.60	
123,60 – 126,00	424	30000	175	M 16	13,05	120	195,6	98,45	054403-123.60	
125,60 – 128,00	424	30000	175	M 16	13,05	120	195,6	98,45	054403-125.60	
127,60 – 130,00	424	30000	175	M 16	13,05	120	195,6	98,45	054403-127.60	
129,60 – 132,00	424	30000	175	M 16	13,05	120	195,6	98,45	054403-129.60	

\* for clamping with pull-back action.

<sup>1)</sup> Other clamping ranges available on short notice by request  
Power actuating only