



34-1

Features

- Robust design
- Suitable for rough operation
- Connection for push/pull cables

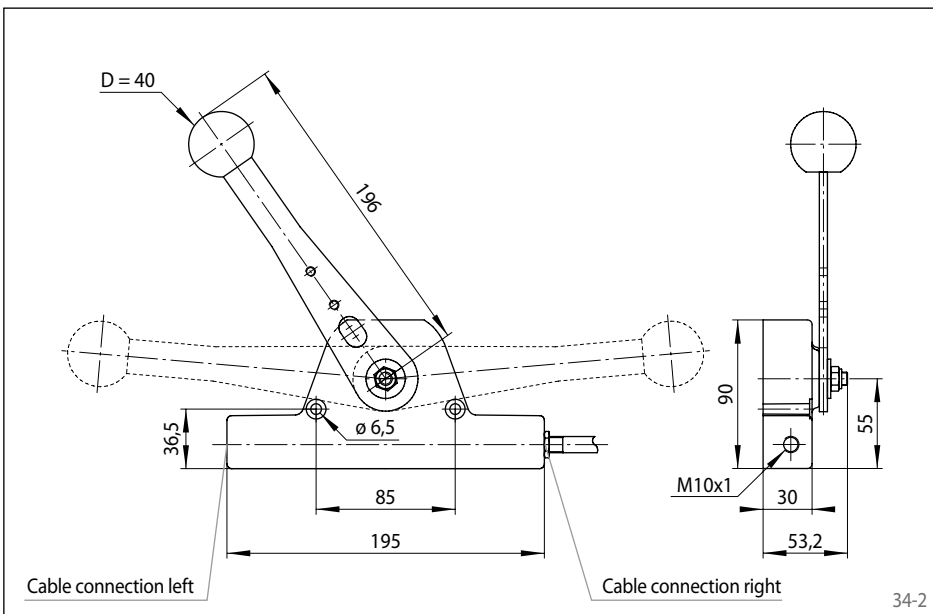
Cable size V or L, travel code 3.15

Control lever SH 58.3 is supplied with detent in middle position.

Control lever SH 58.5 is optionally available with lock (see next page).

Maximum loads on the cable

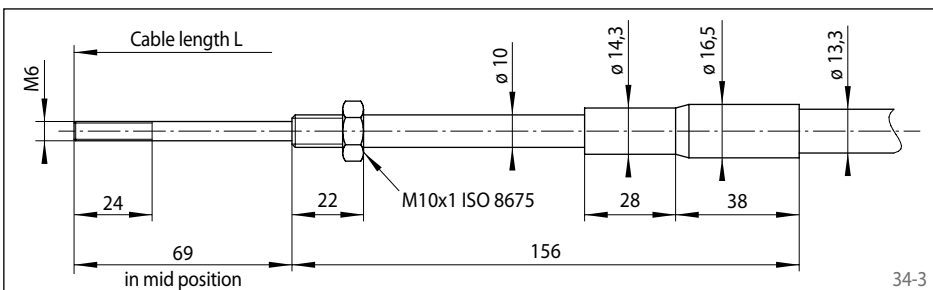
Cable size V:	300 N
Cable size L:	500 N
Maximum holding force:	200 N
Travel of the cable:	80 mm
Lever transmission:	1:6
Lever swiveling angle:	160°



34-2

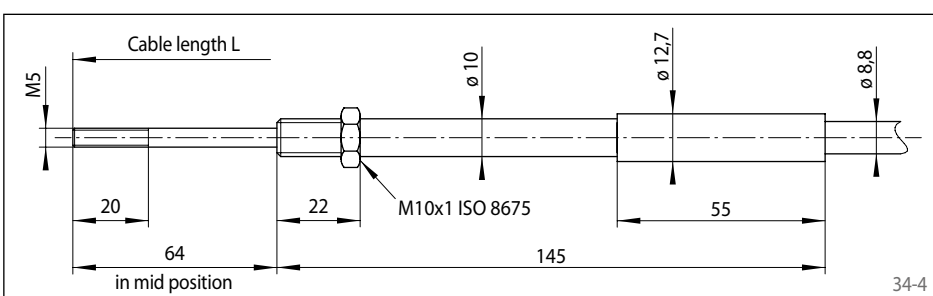
Art.-No.:	Cable connection:
4561-003001-000000	Type SH 58.5, left L / right V
4561-003002-000000	Type SH 58.5, left V / right L
4561-003003-000000	Type SH 58.3, left L / right V
4561-003004-000000	Type SH 58.3, left V / right L

For more information on the design of the cable ends, see page 11 to 13.



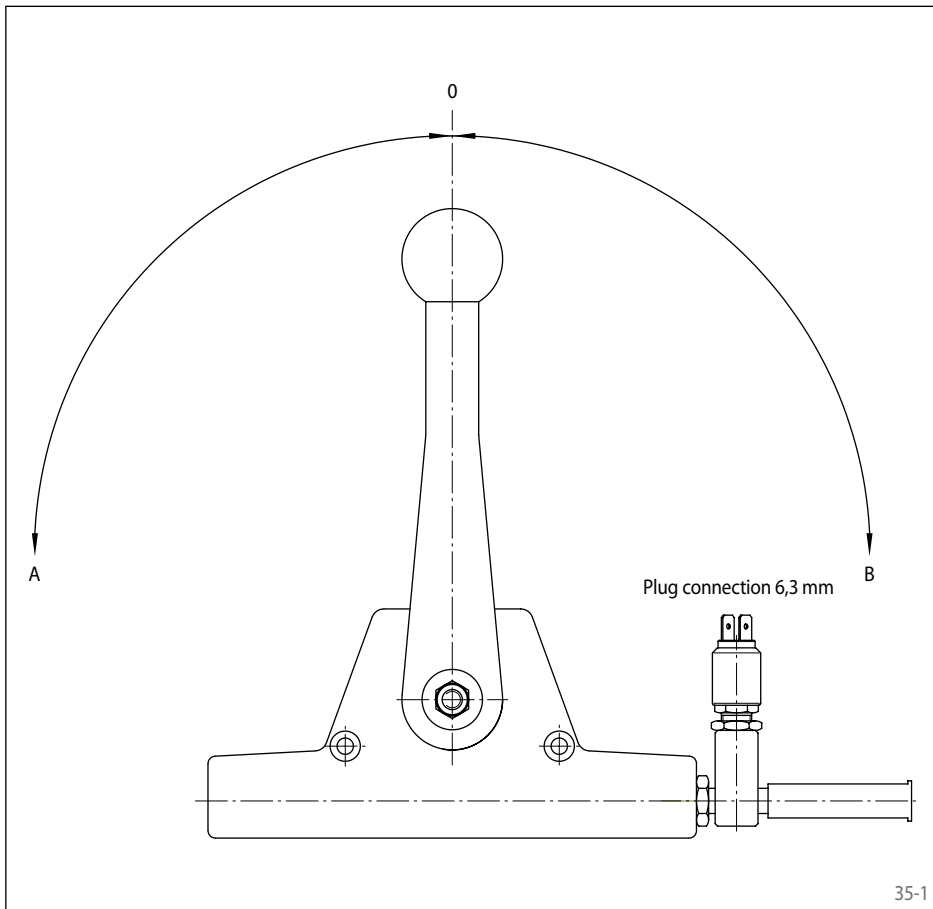
34-3

Cable end MGD size L for connection to control lever SH 58.5 and SH 58.3



34-4

Cable end MGD size V for connection to control lever SH 58.5 and SH 58.3



Electric switch for control lever SH 58.x

The SH 58.x series control levers can be equipped with an electric switch, which is operated independently of travel by a rod and additional electric functions such as reversing light, warning and safety switches and electrical auxiliary units.

Travel adjustment

0 -> A cable pulls

0 -> B cable pushes

In positions 0 -> A the switch contact is open.

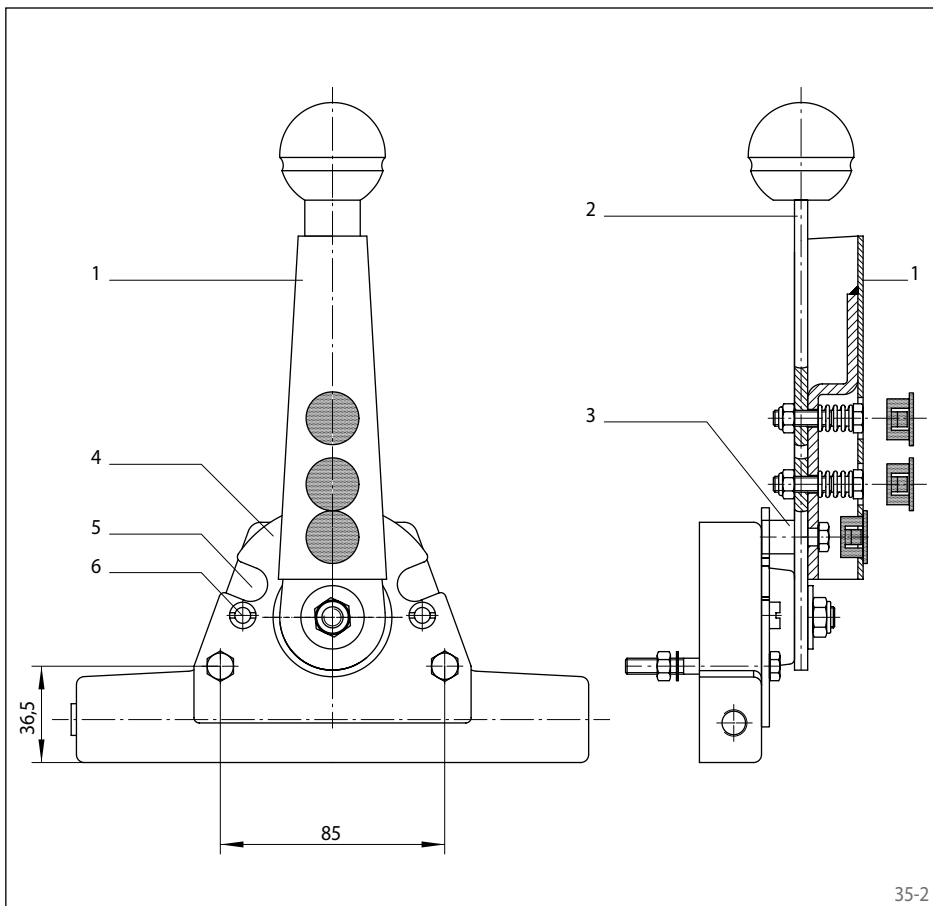
If the position 0 -> B is left, then the switch closes and remains closed.

Displayed is the cable connection left. When the cable connection is right, the functions are reversed.

max. switch voltage: 12 V

max. switch current: 10 A

max. switch capacity: 120 W



Lock for control lever SH 58.5

The control lever SH 58.5 with an additional locking mechanism enables defined travel adjustments together with the maximum utilization of the holding force of 500 N (cable size L).

- 1 Unlocking mechanism, spring loaded
- 2 Hand lever, modified
- 3 Locking bolt, hardened
- 4 Locking disc, hardened
- 5 Notches manufactured according to customer specifications
- 6 Travel limiting (optional)