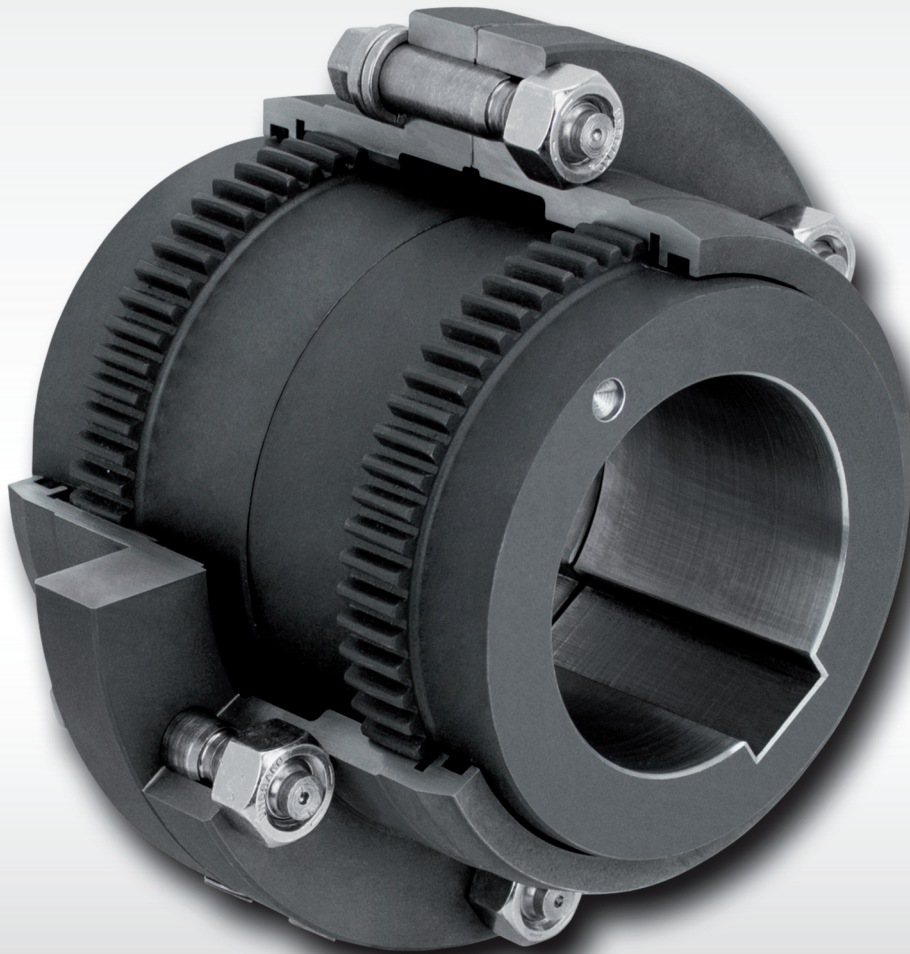


Gear Couplings RDZ ... DTO

Interchange Chart for Falk Lifelign, Kop-Flex, Amerigear, Lovejoy, KTR Gearex , System Components and Renold



Quality Products • Competitive Price • Quick Delivery

Interchange Chart

For Gear Couplings RDZ ... DTO

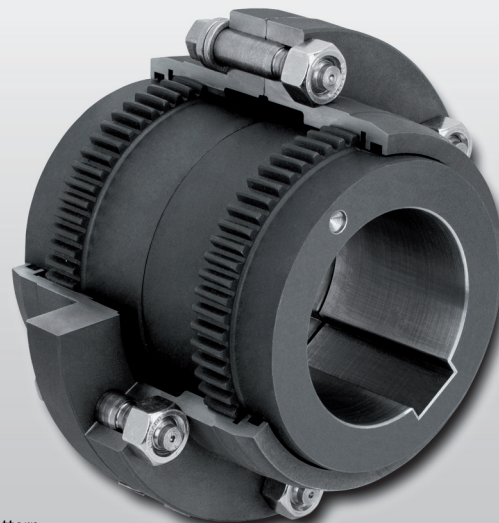
RINGSPANN®

Manufacturer	RINGSPANN RDZ ... DTO Series	Falk Lifelign G20 Series	Kop-Flex H Series	Amerigear F Series	Lovejoy F Series	KTR Gearex FA Series	System Components F Series	Renold Ajax
Size	0010	1010G	1H	201	1	10	1	1
Max. Bore (inch)	1.88	1.88	1.63	1.25	1.63	1.97	1.63	1.63
Torque Capacity (lb-in) x 1000	10.62	10.08	7.5	3.2	7.6	8.2	9.77	12.7
Size	0015	1015G	1-1/2H	201-1/2	1-1/2	15	1-1/2	1-1/2
Max. Bore (inch)	2.36	2.38	2.25	2.25	2.13	2.52	2.19	2.13
Torque Capacity (lb-in) x 1000	22.13	20.79	17.0	17.0	18.9	17.7	19.5	23.8
Size	0020	1020G	2H	202	2	20	2	2
Max. Bore (inch)	2.84	2.88	2.75	2.75	2.75	3.15	2.75	2.75
Torque Capacity (lb-in) x 1000	44.25	37.80	31.5	31.5	31.5	31.0	32.1	40.6
Size	0025	1025G	2-1/2H	202-1/2	2-1/2	25	2-1/2	2-1/2
Max. Bore (inch)	3.54	3.63	3.50	3.50	3.25	3.86	3.50	3.25
Torque Capacity (lb-in) x 1000	77.00	66.15	56.7	53.6	56.7	57.5	56.7	65.7
Size	0030	1030G	3H	203	3	30	3	3
Max. Bore (inch)	4.13	4.13	4.00	4.00	4.00	4.41	4.00	4.00
Torque Capacity (lb-in) x 1000	114.17	107	101	95.0	95.0	89.0	96.0	108
Size	0035	1035G	3-1/2H	203-1/2	3-1/2	35	3-1/2	3-1/2
Max. Bore (inch)	4.92	4.88	4.50	4.50	4.63	5.24	4.63	5.38
Torque Capacity (lb-in) x 1000	171.70	164	148	142	151	150	151	166
Size	0040	1040G	4H	204	4	40	4	4
Max. Bore (inch)	5.71	5.75	5.50	5.50	5.38	6.22	5.50	6.00
Torque Capacity (lb-in) x 1000	269.95	271	236	214	221	252	240	264
Size	0045	1045G	4-1/2H	204-1/2	4-1/2	45	4-1/2	4-1/2
Max. Bore (inch)	6.75*	6.75	6.00	6.25	6.00	6.77	6.00	6.63
Torque Capacity (lb-in) x 1000	369.96	372	318	324	302	327	315	365
Size	0050	1050G	5H	205	5	50	5	5
Max. Bore (inch)	7.38*	7.38	6.88	6.63	6.50	7.56	6.88	6.63
Torque Capacity (lb-in) x 1000	504.49	501	441	416	435	451	447	489
Size	0055	1055G	5-1/2H	205-1/2	5-1/2	55	5-1/2	5-1/2
Max. Bore (inch)	8.25*	8.25	7.75	7.50	7.38	8.27	7.75	7.50
Torque Capacity (lb-in) x 1000	716.91	655	580	551	573	575	583	725
Size	0060	1060G	6H	206	6	60	6	6
Max. Bore (inch)	9.13*	9.13	8.63	8.25	8.00	9.13	8.75	8.13
Torque Capacity (lb-in) x 1000	840.82	800	759	750	750	752	756	925
Size	0070	1070G	7H	207	7	70	7	7
Max. Bore (inch)	10.88*	10.88	10.38	9.63	9.00	10.87	10.38	9.63
Torque Capacity (lb-in) x 1000	1,292.21	1,197	1,160	1,033	1,008	1,195	1,166	1,390

* Maximum bores for shaft and keys according to AGMA/ANSI 9002-C14: shafts up to 6.5" with square keys, and shafts, above 6.5" with rectangular keys

Features

- High Nominal Torque Ratings
- Large Bore Capacities
- Phosphate Coated - Corrosion Resistant
- Fast Delivery
- Complies with AGMA Standard so our half couplings bolt to other AGMA half couplings**



** All are half to half interchanges, except for Amerigear size 201 which uses a different flange pattern