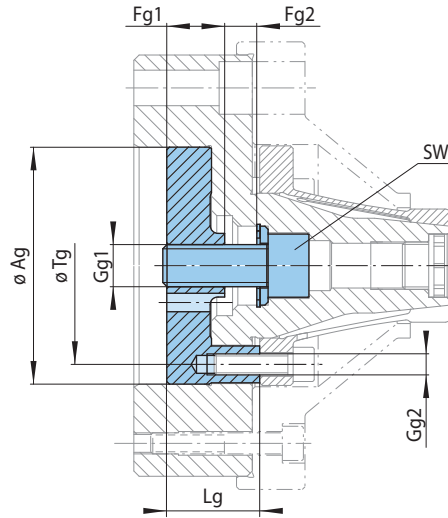


Assembly group for hand clamping (optional)



45-1

for size*	Max. permissible tightening torque M_A Nm	Ag mm	Fg1 mm	Fg2 mm	Gg1	Gg2	Lg mm	SW	Art.-No.
HKDF 30	78	90	22,0	12,2	M 16 x 1,5 LH	M 8	35,3	14	090902
HKDF 40	105	90	22,0	14,25	M 16 x 1,5 LH	M 8	35,3	14	090902
HKDF 60	230	125	23,5	28,4	M 24 x 2 LH	M 10	47,4	19	125901
HKDF 80	302	175	28,9	23,4	M 24 x 2 LH	M 12	57,4	19	175901
HKDF 100	302	175	28,9	23,4	M 24 x 2 LH	M 12	57,4	19	175901
HKDF 125	380	200	33,5	23,4	M 24 x 2 LH	M 12	62,5	19	200901
HKDF 150	530	225	41,0	47,4	M 24 x 2 LH	M 12	77,0	19	225901
HKDF 200	645	275	51,0	37,4	M 24 x 2 LH	M 12	95,0	19	275901

* Assembly group for hand clamping is not available for Taper Sleeve Flange Mandrels HKDF 4 to HKDF 19.