

# Brake Calipers EV 024 EFM and EH 024 EFM

electromagnetically activated – spring released



Features	Code
Brake Caliper with electromagnet	E
Mounting to the machine parallel or at right angles to the brake disc	V H
Frame size 024	024
Electromagnetically activated	E
Spring released	F
Manual adjustment to accommodate friction block wear	M
Supply voltage 220 to 240 VAC	240
Supply voltage 380 to 480 VAC	480
Electromagnet mounted in central position	M
Thickness of brake disc 10 ... 16 mm	12
or 18 ... 26 mm	25

### Example for ordering

Brake Caliper EV 024 EFM, supply voltage 400 VAC, electromagnet mounted in central position, thickness of brake disc 15 mm:

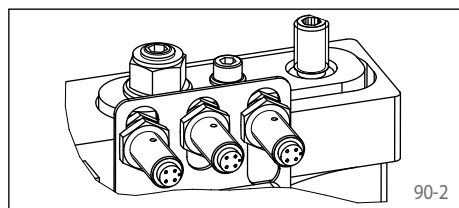
EV 024 EFM - 480 M - 12

### Advantages

The brake caliper EV 024 EFM or EH 024 EFM is a very compact and high efficient disc brake with very low power consumption. Its floating bearing compensates small misalignments of the brake disc. The attached electronic reduces the power consumption in closed position automatically.

### Options

- Available with cCSAus approval
- Inductive proximity switch: "Brake released"-, "Brake closed"-status and/or "Friction block wear adjustment necessary"



### Technical Data

	Brake Calipers EV 024 EFM and EH 024 EFM with supply voltage	
	220 to 240 VAC	380 to 480 VAC
Brake disc diameter		
mm		
	Braking torque	Braking torque
	Nm	Nm
250	440	
300	550	
355	670	
430	830	
520	1 030	
630	1 270	
Clamping force	5 500 N	
Response time*	250 ms	
Clamping force or braking torque adjustable	60 - 100%	
Power consumption in closed position	20 W	20 W
	(100% duty factor)	
Power when closing the brake (< 1 s)	2 850 W	1 800 W
Fuse rating	10 A, Type "B"	
Max. number of actuation	360/h permanent activations at 20° C ambient temperature	
Actuation frequency**	at least 8 seconds between 2 activations	
Weight	13 kg	

The braking torques shown in the diagram are based on a theoretical friction coefficient of 0,4.

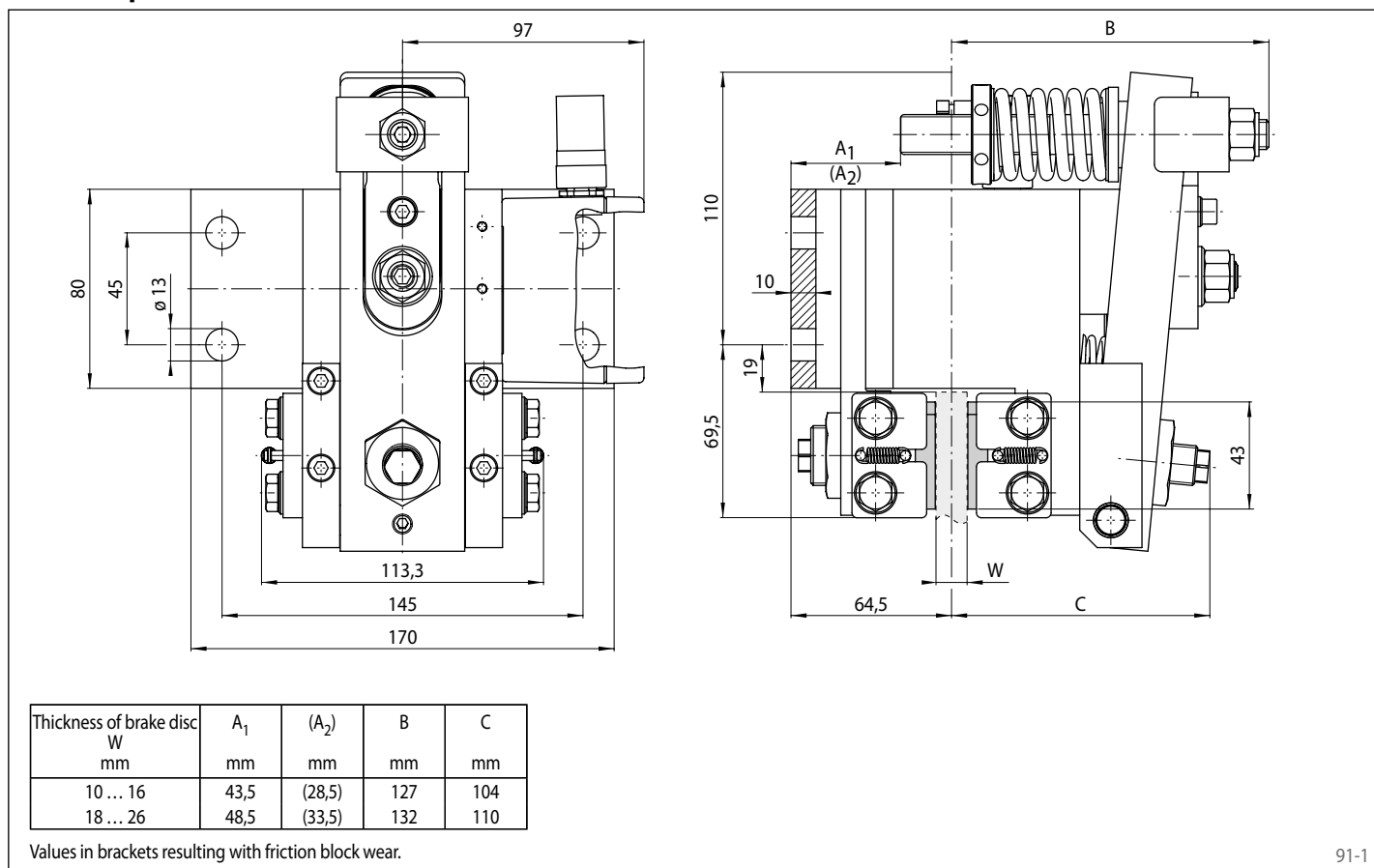
\* The response time is the duration from switching off the power supply to reaching 80% of the maximum clamping force (at Ta = 20 °C, setting: 100%).

\*\* Shorter actuation frequency on request

# Brake Calipers EV 024 EFM and EH 024 EFM

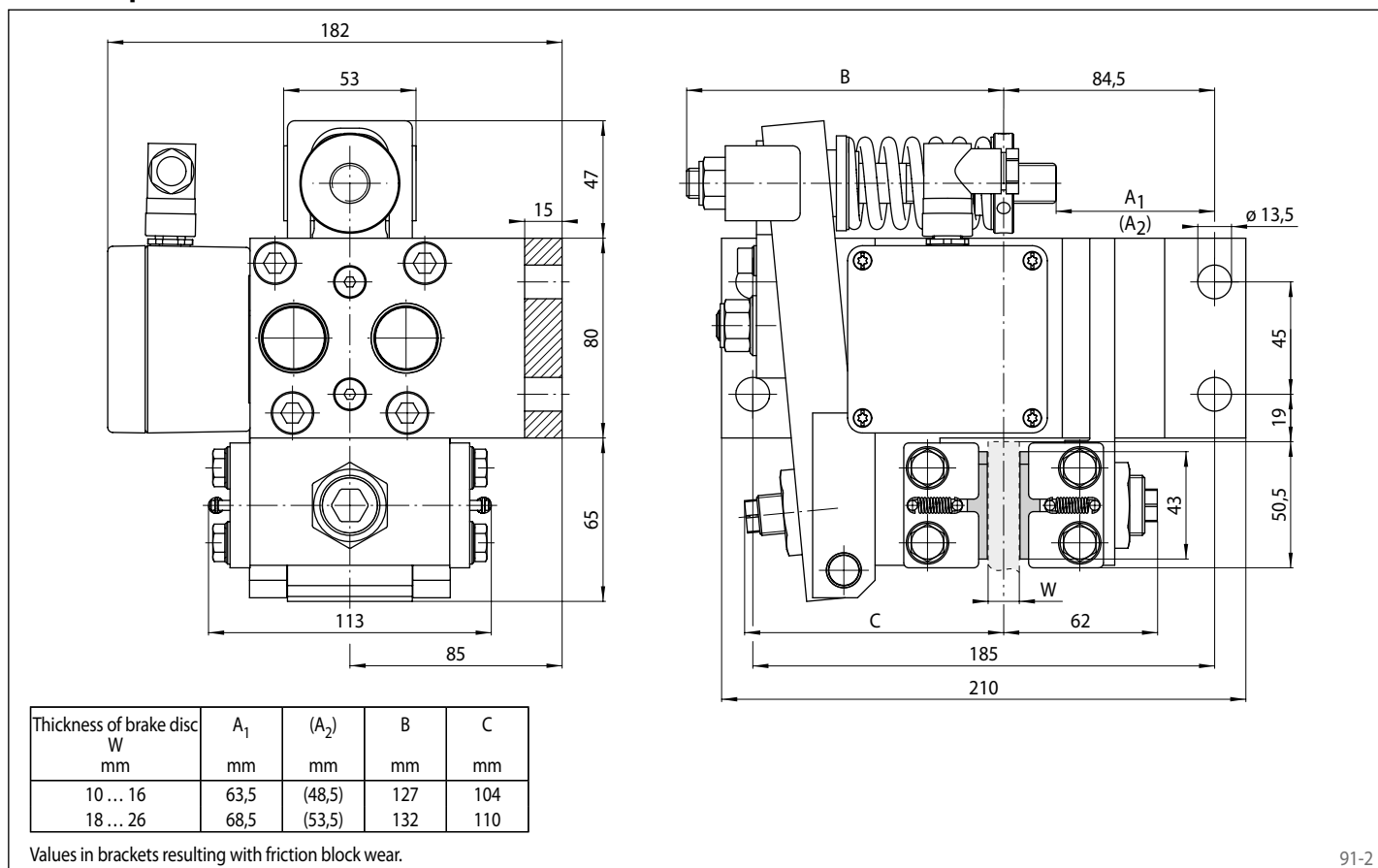
electromagnetically activated – spring released

## Brake Caliper EV 024 EFM



91-1

## Brake Caliper EH 024 EFM



91-2