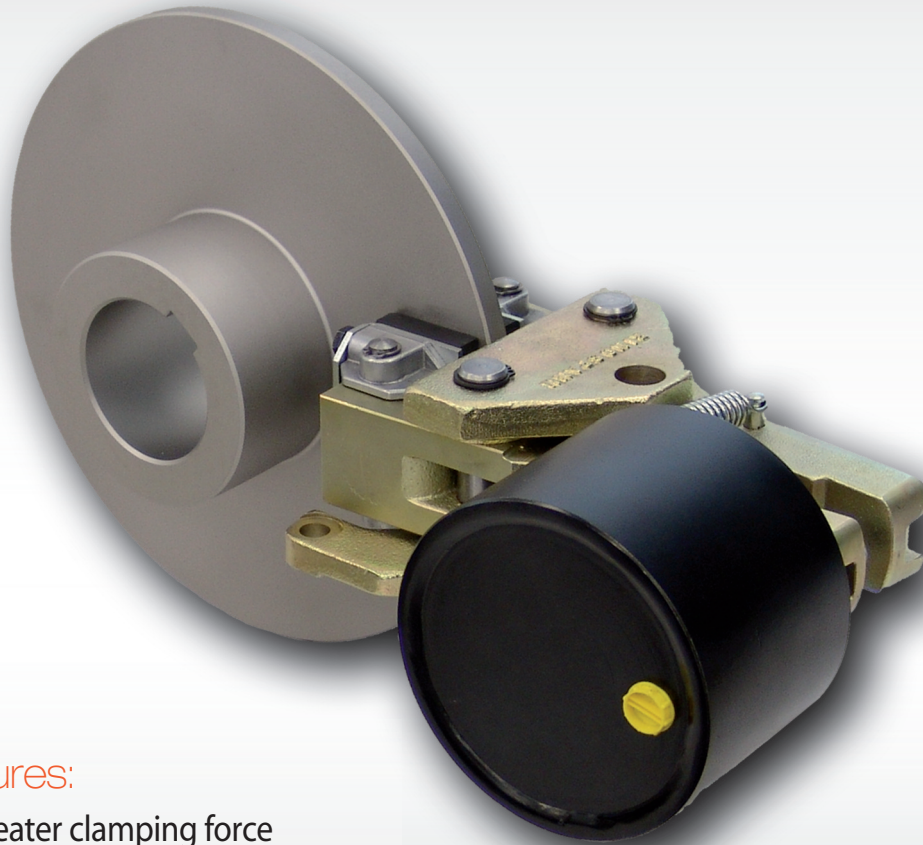


Brake Calipers

Interchange Chart for Twiflex, Coremo, Siegerland, Svendborg, Dellner & Pintsch Bubenzer



Features:

- Greater clamping force
- Smaller footprint
- Easily replaceable brake pads
- Pivoted brake pad design
- Custom solutions

Quality Products • Competitive Price • Commitment to Safety

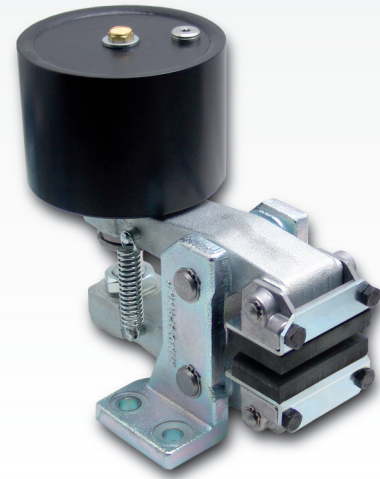
Interchange Chart

For Brake Calipers

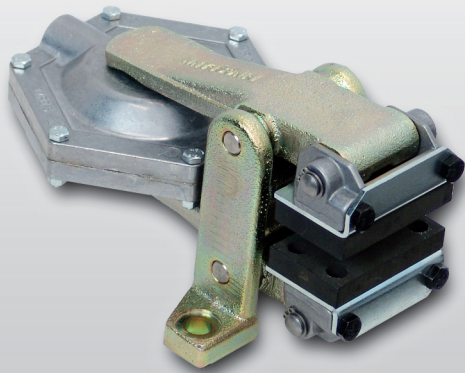
Spring Actuated – Pneumatically Released

RINGSPANN®	Twiflex/ Hilliard	Coremo	Siegerland	Svendborg
DV 020 FPM	Type 100 – No 11848	B-2N	B2N	
DV 030 FPM	Type 200 – No 11850	F-3N	F3N	
DV 030 FPA	Type 200 – No 11204			
DH 030 FPM	Type MR – No 11846	A-3N	A3N	KFSB
DH 030 FPA	Type MRS – No 11041			
DV 020 FPM	Type 100 – No 10391			
DV 030 FHA	Type 200 – No 11149	F3N-ID	F3N-ID	
DH 030 FHA	Type MRY – No 10070	A3N-ID	A3N-ID	KCDB
DU 060 FPM	Type GMRSP – No 10382	E-3N/EL-3N	E4N	BSFA120

Clamping forces
1 700 - 65 000 N



Clamping forces
101 - 39 000 N

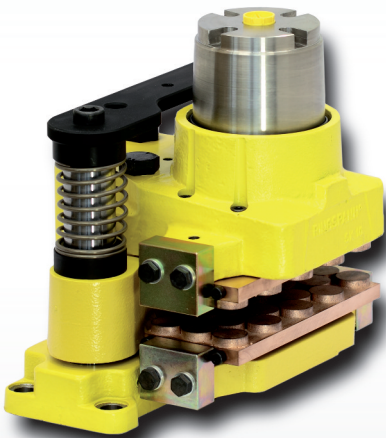


Pneumatically Actuated – Spring Released

RINGSPANN®	Twiflex/ Hilliard	Coremo	Siegerland	Svendborg
DH 010 PFK	Type MU101 – No 12934	MP	MP	
DV 020 PFK	Type 100 – No 10784	B2	B2	KSG
DV 030 PFK	Type 200 – No 11154	F3	F3	
DH 030 PFK	Type MRB – No 10046	A3	A3	KR2B
DU 060 PFM	Type GMRP – No 10332	E4	E4	BSAA

Spring Actuated – Hydraulically Released

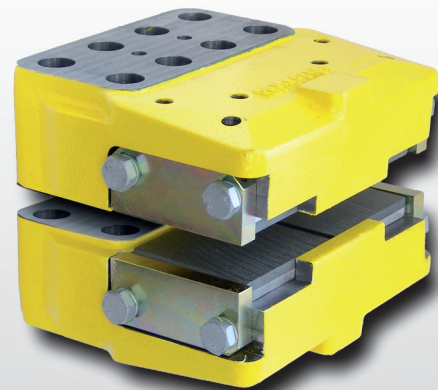
RINGSPANN®	Twiflex/Hilliard	Dellner	Siegerland	Svendborg
HS 075 FHM-020			SHI 75-1FC	BSFI 320
HS 075 FHM-030			SHI 75-4FC	BSFI 330
HS 075 FHM-040			SHI 75-5FC	BSFI 340
HS 075 FHM-055			SHI 75-6	BSFI 355
HW 075 FHM-010		SKP 95-10		BSFI 310
HW 075 FHM-020	VCS30-MK4/VKSD28	SKP 95-18	SHI 75-1	BSFI 320
HW 075 FHM-030	VCS40-MK4/VKSD34	SKP 95-27	SHI 75-4	BSFI 330
HW 075 FHM-040	VCS50-MK4/VKSD41		SHI 75-5	BSFI 340
HW 075 FHM-055	VCS60-MK4/VKSD53		SHI 75-6	BSFI 355



Clamping forces
10 - 55 kN

Hydraulically Actuated – Spring Released

RINGSPANN®	Twiflex/Hilliard	Dellner	Siegerland	Pintsch Bubenzer
HW 040 HFA	T2 Series	SKD 35		
HW 063 HFA	T20 Series	SKD 50/65		
HW 100 HFA		SKD 100	ABS 75G	
HW 150 HFA	VKHD			SF10
HW 180 HFA		SKD4x100		SF15



Clamping forces
1,8 - 200 kN

USA



USA, Canada and Mexico
RINGSPANN CORPORATION
 10550 Anderson Place
 USA-Franklin Park, IL 60131
 Phone +1 847 678 3581
www.ringspanncorp.com



Great Britain and Ireland
 RINGSPANN (U.K.) LTD.
www.ringspann.co.uk

The Netherlands, Belgium and Luxembourg
 RINGSPANN Benelux B.V.
www.ringspann.nl

Sweden, Finland, Denmark, Norway and Baltic states
 RINGSPANN Nordic AB
www.ringspann.se

France, Algeria, Morocco and Tunisia
 SIAM RINGSPANN S.A.
www.ringspann.fr

Germany - Headquarter
 RINGSPANN GmbH
www.ringspann.com

Spain and Portugal
 RINGSPANN IBERICA S.A.
www.ringspann.es

Switzerland
 RINGSPANN AG
www.ringspann.ch

China and Taiwan
 RINGSPANN Power Transmission (Tianjin) Co., Ltd.
www.ringspann.cn

India
 RINGSPANN Power Transmission India Pvt. Ltd.
www.ringspann-india.com

South Africa and Sub-Saharan Africa
 RINGSPANN Transmission Components (Pty) Ltd.
www.ringspann.co.za

Agencies

Europe

Austria, Hungaria and Slovenia
 Manfred Edmayr
 Edmayr Antriebstechnik GmbH
 Thalham 20
 A-4880 St. Georgen/Attergau
 Phone +43 7667 6840
 Fax +43 7667 20070

Czech Republic and Slovakia
 Dipl.-Ing. Petr Schejbal
 Mezivřší 1444/27
 CZ-14700 Praha 4
 Phone +420 222 969022
 Fax +420 222 969022

Italy
 Osvaldo Alioli
 Via Borghetto, 41
 I-20033 Desio
 Phone +39 03 62622100
 Fax +39 03 62622100

Poland
 RADIUS-RADPOL Sp. j.
 ul. Kolejowa 16 b
 PL-60-185 Skórzewo k.Poznania
 Phone +48 61 814 3928
 Fax +48 61 814 3843