

# RFB Series

Fan Backstops

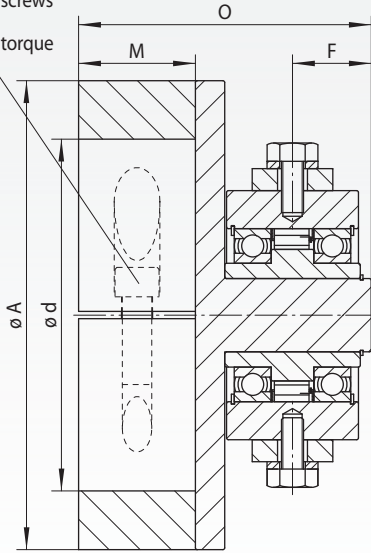


## Features:

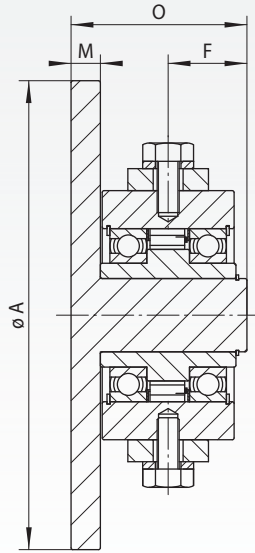
- Compact design
- Maintenance free
- Greased for life
- Removable/Pivoting Torque Arm
- Versatile Adapter design
- Heavy duty ball bearing design

Quality Products • Competitive Price • Quick Delivery

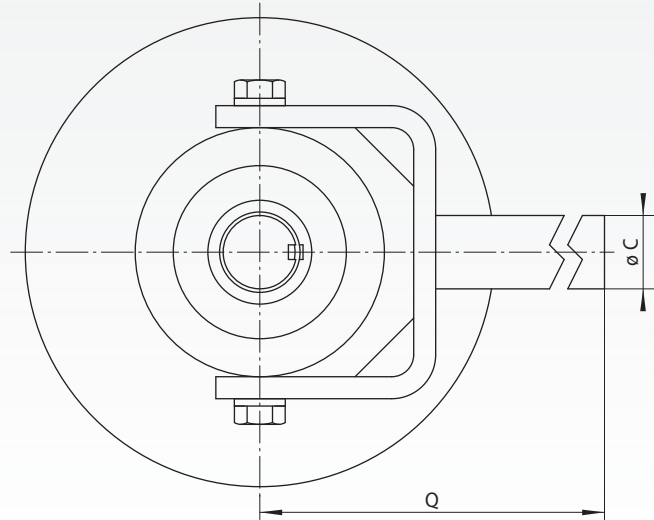
Tightening screws  
2 x 1/2"-20  
Tightening torque  
125 lb-ft



Size RFB 350 and 450 Type C  
with clamping collar



Size RFB 450 Type QD and  
Taper Lock with mounting flange



| Freewheel Size | Type       | Maximum torque $M_M$<br>lb-ft | Nominal torque $M_N$<br>lb-ft | Maximum speed inner ring freewheels rpm | Bore d       |              | A<br>inch | C*<br>inch | F<br>inch | M<br>inch | O<br>inch | Q<br>inch | Con-<br>nection/<br>Bushing<br>Type |
|----------------|------------|-------------------------------|-------------------------------|---|--------------|--------------|-----------|------------|-----------|-----------|-----------|-----------|-------------------------------------|
|                |            |                               |                               |   | min.<br>inch | max.<br>inch |           |            |           |           |           |           |                                     |
| RFB 350        | C          | 700                           | 350                           | 1800                                    | 1            | 3.94         | 6         | 1.25       | 1.34      | 2.0       | 5         | 16.63     | Shaft end mounted                   |
| RFB 450        | C          | 900                           | 450                           | 1800                                    | 4            | 6.00         | 8         | 1.25       | 1.34      | 2.0       | 5         | 16.63     | Shaft end mounted                   |
| RFB 450        | QD         | 900                           | 450                           | 1800                                    | -            | -            | 8         | 1.25       | 1.34      | 0.5       | 3         | 16.63     | E<br>F<br>J                         |
| RFB 450        | Taper Lock | 900                           | 450                           | 1800                                    | -            | -            | 8         | 1.25       | 1.34      | 0.5       | 3         | 16.63     | 3020<br>30525<br>2535<br>4030       |

Please contact factory for determination of section torque.  
Additional shaft accessories maybe required for RFB-TL designs, contact RINGSPANN.  
\* A 3/4" inch diameter arm extension is available upon request.

## Series RFB Backstops

RINGSPANN RFB backstops prevent reverse rotation of fans and blowers due to reverse of air flow with a common plenum. The RFB backstop is an economical solution to protect the drive and the drive components from undue stresses upon start-up where "windmilling" is present.

RINGSPANN RFB Backstops are mounted on the low speed fan shaft, and are able to be mounted to minimal shaft length (C type) or directly to your QD or Taper Lock bushing (QD and TL type.) C type backstops are supplied standard with a minimum plain bore or may be finished

bored upon request. RINGSPANN QD and TL units are furnished complete with mounting adapter and fasteners for a quick installation. All RFB torque arms are removable and designed to pivot to accommodate numerous mounting requirements.